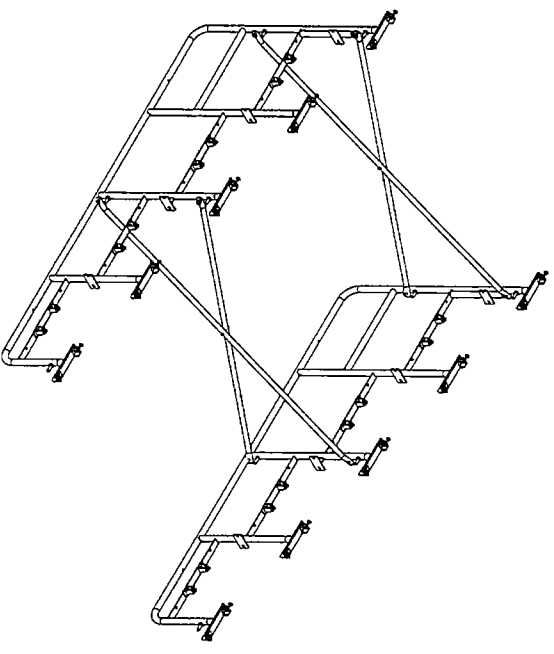
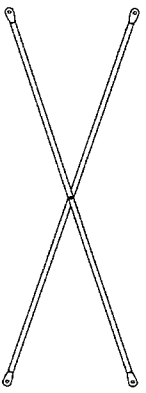


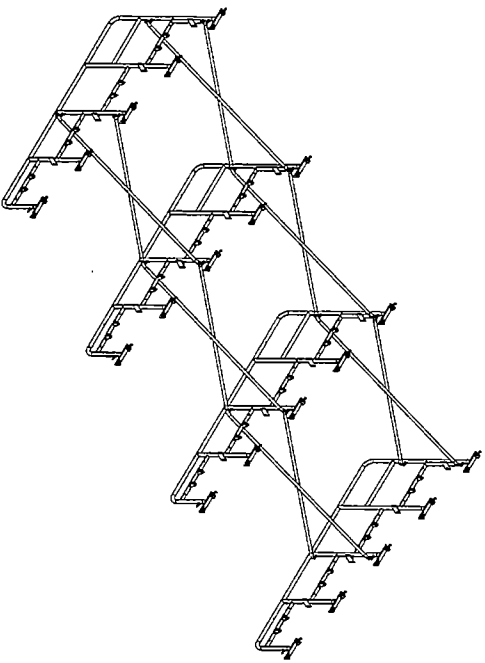
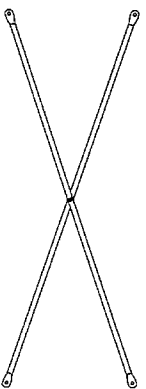
STEP 3



- Attach a 6" x 2 1/2" (for 5 row unit) or 6" x 1 1/2" (for 3 & 4 row unit) cross brace to the two rear threaded studs on one bleacher frame using two 1/2" nuts.
- Attach a second bleacher frame to the opposite end of the cross brace using two 1/2" nuts.
- Fasten another cross brace on the front studs of the same frames using four 1/2" nuts.

NOTE: Do not tighten 1/2" hex nut at this time.

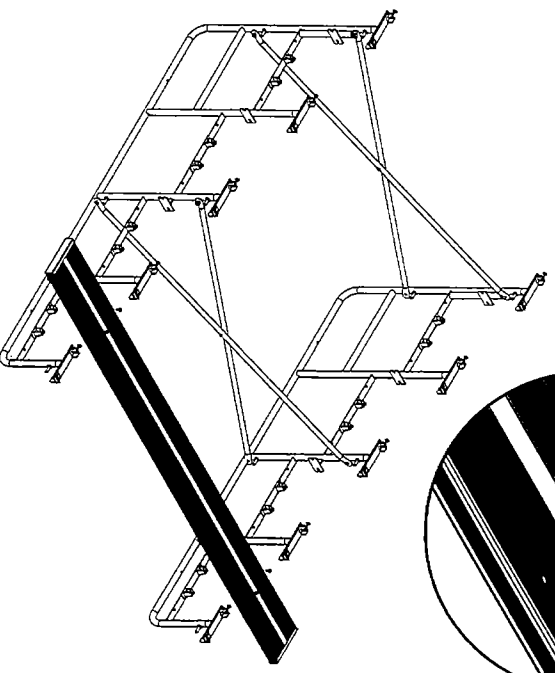
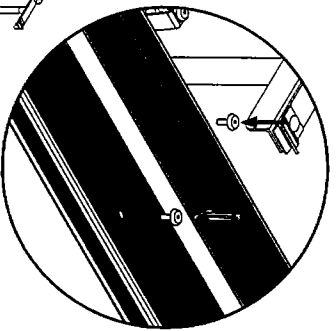
STEP 4



- For 90462, 90494 & 90464 (21 Long Bleacher), continue to step 5.
- For 90474, 90464 & 90440 (15' Long Bleacher), attach two additional cross braces and one bleacher frame to the setup bay.
- For 90450, 90645 & 90472 (21 Long Bleacher), attach four additional cross braces and two bleacher frames to the setup bay.

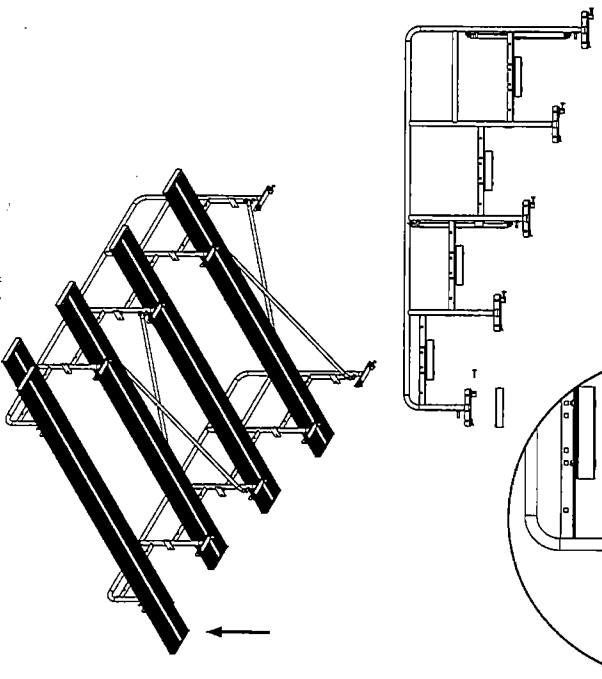
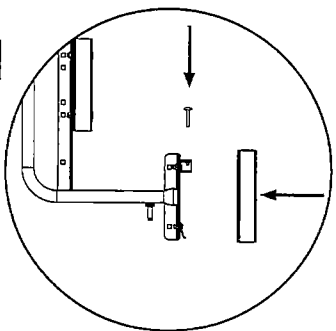
NOTE: Do not tighten 1/2" hex nut at this time.

STEP 5



- Fasten the bottom foot board using the 1/2" x 2 1/2" screws that were set aside in step one. The screws will fasten through the top of each board.
- Continue working your way up the bleacher row by row. Screws should be tightened at this time.

STEP 6



- Fasten the bottom seat board using the 1/2" x 2 1/2" screws that were set aside in step five. The screws will fasten through the back of each board.
- Continue working your way up the bleacher row by row. Screws should be tightened at this time.